

TPM-3615PW

Arestech

Full System IP66/69K Protected 15.6" Stainless Steel Wide Screen Industrial Monitor with P-Cap Touchscreen



Features

- Full System IP66/69K Protected Stainless Steel 316
- 15.6" LCD Monitor, Resolution 1366 x 768
- 12 ~ 24 V DC power input (M12 Connector)
- VGA and HDMI (Option); Front USB input
- Support VESA and Yoke mounting

Applications

- Food & Beverage Processing Industrial
- Pharmaceutical and Biopharmaceutical Equipment
- Embedded HMI Display System
- Factory Manufacturing Automation
- Chemical, Gas & Oil Critical Environment

→ Packing List

Description
1 x TPM-3615PW

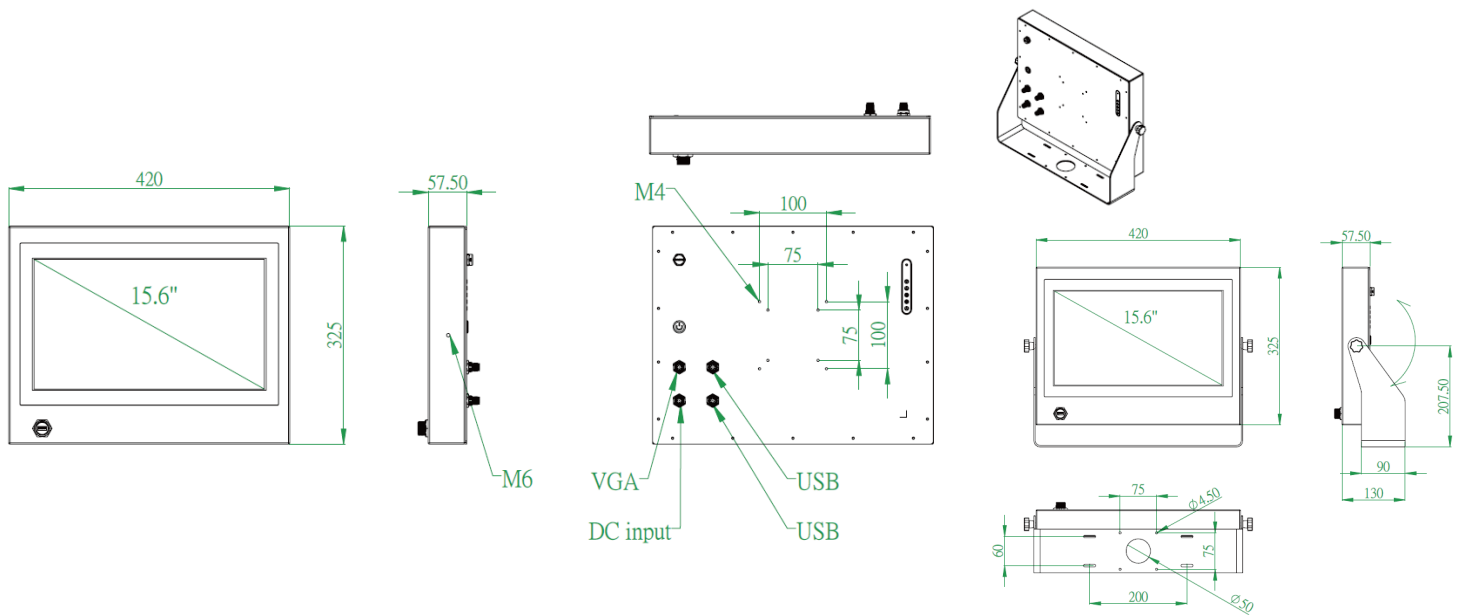
→ Optional Items

Part No.	Description
APW-60M12V-01	12V, 60W, 5A, 5-pin M12 Connector (US)
APW-60M12V-02	12V, 60W, 5A, 5-pin M12 Connector (EU)
AKT-USB2M12	M12 Connector to USB Cable, 2m
AKT-VGA2M12	M12 Connector to DB15 Cable, 2m
ACS-100-STD	VESA Table Stand
ACS-12016-STD	15.6" Monitor Yoke Mount Kits

→ Ordering Information

Part No.	Description
TPM-3615PW-A1	15.6" 1366 x 768, Full System IP66 Stainless Steel Industrial Touch Monitor, Flat Panel, Projected Capacitive Touch, Front USB input, VGA, 12~24V DC input, M12 Connectors

→ Dimensions



→ Specifications

Model		TPM-3615PW-A1
Display	Panel Size	15.6" LCD Panel
	Resolution	1366 x 768 (HD)
	Viewing Angle	80 x 80 (H), 80 x 80 (V)
	Brightness	300 (cd/m2)
	Color Support	16.7 M
	Contrast Ratio	500:1
	Response Time	8 (msec)
Touchscreen	Type	Resistive Touch screen
	Surface Hardness	7 Mohs
	Durability	-
	Transparency	90% ($\pm 3\%$)
I/O Interface	Input Interface	1 VGA (M12 Connector), 1 HDMI (IP67 Waterproof Connector, Option); Front USB input
	Touch Interface	1 USB, M12 Connector
OSD Control	OSD Function Key	1 RS-232, M12 Connector Remote OSD control (Option) 5 Keys: Menu, Up, Down, Auto Adjust, Monitor Power on/off
Power	Power Input	12-24 V DC power input, single power source
	Power Connector	M12 connector
	Power Consumption (Typical)	10.1 W
Environment	Operating Temperature	-20~60° C (-4~140° F)
	Storage Temperature	-30~70° C (-22~158° F)
	Humidity	5~95% @ 40° C, Non-condensing
	Vibration	5-500 Hz, 0.026 G ² /Hz, 2.16 Grms, X, Y, Z, 1 hour per axis
General	Ingress Protection	Full System IP66 Protection, Stainless Steel 316
	Dimensions (W x H x D)	420 x 325 x 57.5 mm (16.54" x 12.80" x 2.26")
	Weight	TBD
	Operating System	Windows 7/8.1/10, WES7, WE8S, Linux Fedora, Ubuntu