

TPM-3315PW

Arestech

IP65 Protected 15.6" Stainless Steel Wide Screen Monitor
with P-Cap Touchscreen



Features

- IP65 Protected Stainless steel Flat Panel Design
- 15.6" HD LCD Panel up to 1366 x 768 Resolution
- Multi Video Input, Display Port, HDMI and VGA
- Support Remote OSD Control
- IP65 Front USB input
- -20~60° C Operating Temperature
- Panel and VESA Mounting

Applications

- Food & Beverage Processing Application
- Pharmaceutical and Biopharmaceutical Equipment
- Embedded HMI Display System Factory
- Manufacturing Automation
- Chemical, Gas & Oil Critical Environment

→ Packing List

| Description |
|----------------------------|
| 1 x TPM-3315PW |
| 1 x Driver CD |
| 1 x USB Cable |
| 1 x VGA Cable |
| 1 x Power Adapter |
| 12 x Panel Mounting Screws |

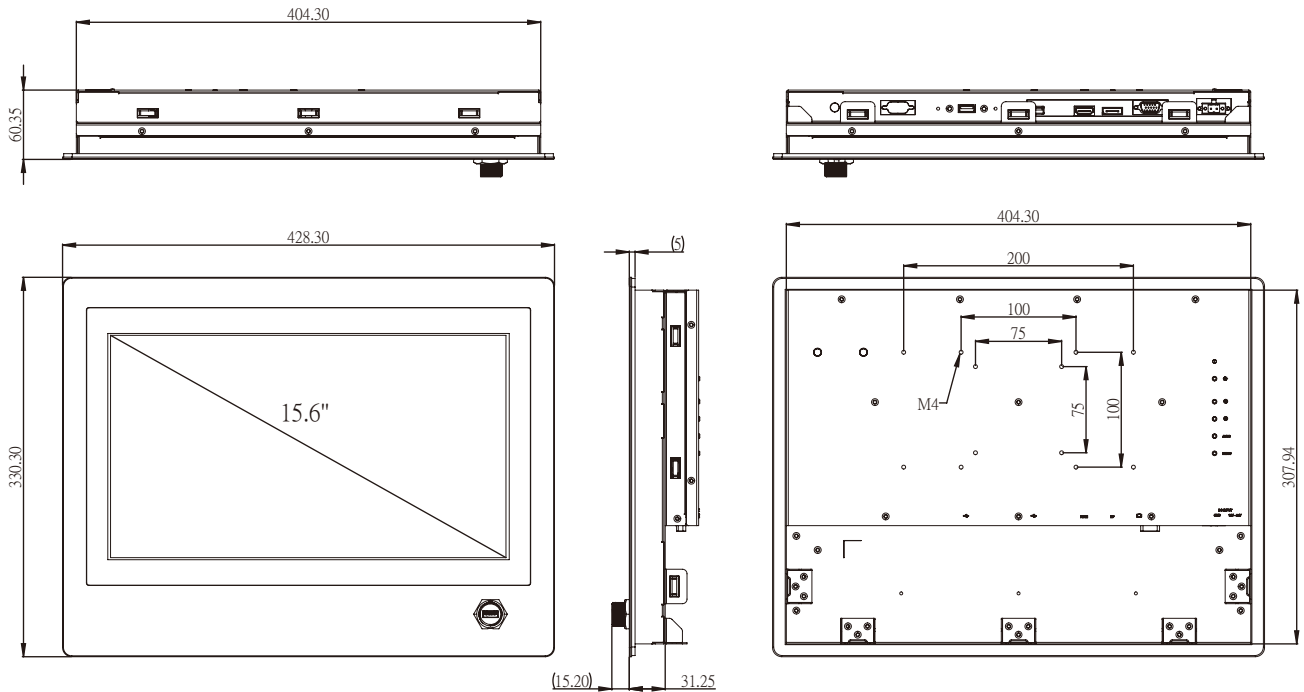
→ Optional Items

| Part No. | Description |
|-------------|----------------------|
| ACS-100-STD | LCD VESA Table Stand |

→ Ordering Information

| Part No. | Description |
|---------------|--|
| TPM-3315PW-A1 | 15.6" HD 1366 x 768, IP65 Stainless Flat Panel, Projected Capacitive Multi-touch Display |

→ Dimensions



Cut out : 406.3 * 310mm

→ Specifications

| Model | | TPM-3315PW |
|---------------|-----------------------------|---|
| Display | Panel Size | 15.6" LCD Panel |
| | Resolution | 1366 x 768 (HD) |
| | Viewing Angle | 80 x 80 (H) x 80 x 80 (V) |
| | Brightness | 300 (cd/m ²) |
| | Color Support | 16.7 M |
| | Contrast Ratio | 500 : 1 |
| | Response Time | 8 (msec) |
| Touchscreen | Type | Projected Capacitive |
| | Surface Hardness | 7 Mohs |
| | Durability | - |
| | Transparency | 90% (±3%) |
| I/O Interface | Input & Video Interface | Front IP65 USB input, 1 Display Port, 1 HDMI, 1 VGA |
| | Touch Interface | USB interface |
| OSD Control | Function Key | 1 RS-232, DB-9 Connector Remote OSD control 5 Keys : Menu, Up, Down, Auto Adjust, Monitor Power on/off |
| Power | Power Connector | Phoenix Terminal Block, 2 pins |
| | Power Input | 12-24 V DC power input, single power source |
| | Power Consumption (Typical) | 10.1 W |
| Environment | Operating Temperature | -20~60°C (-4~140°F) |
| | Storage Temperature | -30~70°C (-22~158°F) |
| | Humidity | 5~95% @ 40°C, Non-condensing |
| | Vibration | 5-500Hz, 0.026 G ² /Hz, 2.16 Grms, X, Y, Z, 1 hour per axis |
| General | Ingress Protection | Stainless Steel, Front Cover IP65 Protection |
| | Dimensions (W x H x D) | 428.3 x 330.3 x 60.35 mm (16.86" x 13.00" x 2.38") |
| | Weight | 6.42 kg (14.16 lb) |
| | Operating System | Windows 7/8.1/10, WES7-E WES7-P, WE8S, Linux Fedora, Ubuntu |