

TPM-3312

IP65 Protected 12" Stainless Steel Flat Panel
Industrial Touch Monitor



Features

- IP65 Protected Stainless Flat Panel Design
- High Resolution 1024 x 768
- 4-point Multi-touch Display (Default: 2)
- 7 Mohs Screen Hardness

Applications

- CNC Machines
- Embedded HMI Display System
- Factory / Manufacturing Automation
- Vending / Ticketing Machines

→ Packing List

| Description |
|----------------------------|
| 1 x TPM-3312 |
| 1 x Driver CD |
| 1 x USB Cable |
| 1 x VGA Cable |
| 1 x Power Adapter |
| 12 x Panel Mounting Screws |

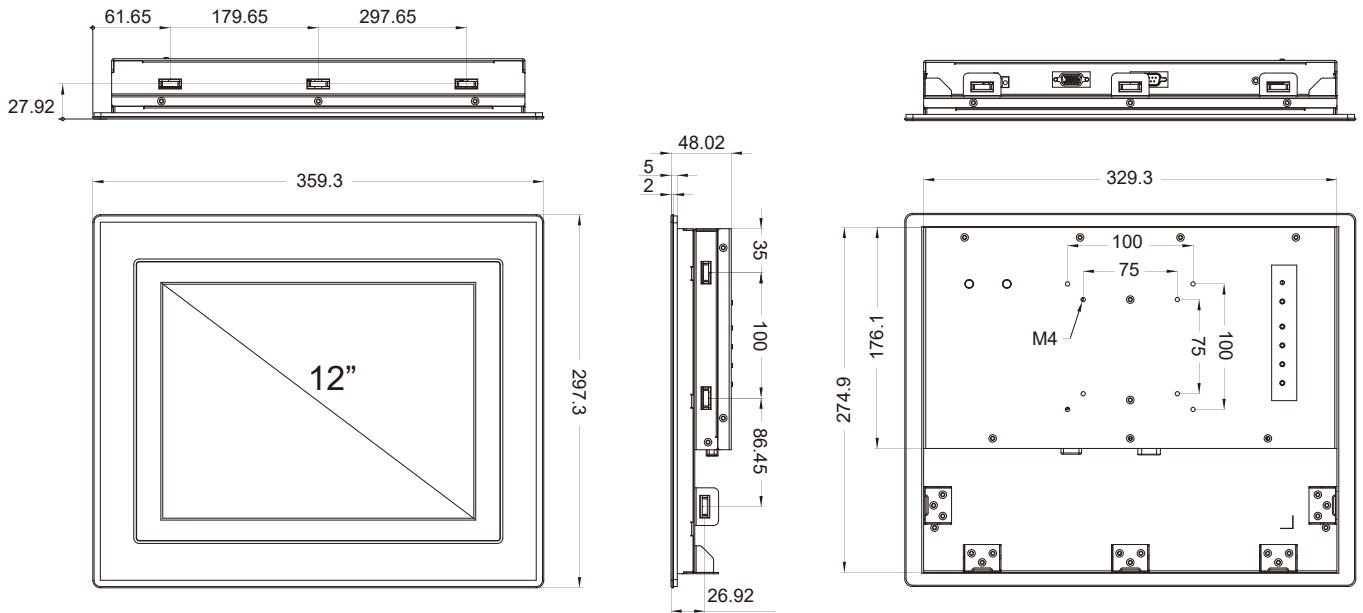
→ Optional Items

| Part No. | Description |
|-------------|------------------|
| ACS-100-STD | VESA Table Stand |

→ Ordering Information

| Part No. | Description |
|--------------|------------------------------------------------------------------------------------------------|
| TPM-3312P-A1 | 12.1" 1024x768, IP65 Stainless Steel Flat Panel, Projected Capacitive Industrial Touch Monitor |
| TPM-3312R-A1 | 12.1" 1024x768, IP65 Stainless Steel Flat Panel 5 Wire Resistive Industrial Touch Monitor |

→ Dimensions



Cut Out: 402*335.7 mm

→ Specifications

| Model | | TPM-3312P | TPM-3312R |
|---------------|-----------------------------|---------------------------------------------------------------------------------------------------------------------------------------------------|--------------------|
| Display | Panel Size | 12.1" LED LCD Panel | |
| | Resolution | 1024 x 768 (XGA) | |
| | Viewing Angle | 80 x 80 (H) x 80 x 80 (V) | |
| | Brightness | 450 (cd/m2) | |
| | Color Support | 16.2 M / 262 K colors | |
| | Contrast Ratio | 700:1 | |
| | Response Time | 8 (msec) | |
| Touchscreen | Type | Projected Capacitive | 5-Wire Resistive |
| | Surface Hardness | 7 Mohs | 3 Mohs |
| | Durability | - | 10 million touches |
| | Transparency | 90% (±3%) | 80% (±3%) |
| I/O Interface | Video Interface | 1 VGA | |
| | Touch Interface | 1 USB | |
| OSD Control | Function Keys | 5 Keys: Menu, Up, Down, Auto Adjust, Monitor Power on/off Menu Functions: Brightness, Contrast, Color Adjust, Color Temp, Auto Color, Language | |
| Power | Power Connector | 2-Pin Terminal Block, Phoenix Connector | |
| | Power Input | 12-24 V DC input, Single Power Source | |
| | Power Consumption (Typical) | 6.8 W | |
| Environment | Operating Temperature | -20~60° C (-4~140° F) | |
| | Storage Temperature | -30~70° C (-22~158° F) | |
| | Humidity | 5~95% @ 40° C, Non-condensing | |
| | Vibration | 5-500 Hz, 0.026 G ² /Hz, 2.16 Grms, X, Y, Z, 1 hour per axis | |
| Certification | Certification | CE, FCC Class A | |
| General | Ingress Protection | IP65 (Stainless steel front cover) | |
| | Dimensions (W x H x D) | 359.3 x 297.3 x 48.02 mm (14.15" x 11.70" x 1.89") | |
| | Weight | 3.97 kg (8.73 lb) | |
| | Operating System | Windows XP/7/8.1/10, WES7-E/P, WE8S, Linux Fedora, Ubuntu | |