

TPM-3217

Arestech

Industrial 17" LED Projected Capacitive
Multi-touch Display



Features

- 17" LED SXGA LCD Panel up to 1280 x 1024 Resolution
- 5-wire Resistive / Projected Capacitive Touch Technology
- 12 ~ 24 V DC Power Input Pluggable Terminal Block
- Combined with RS-232 and USB Touch Interfaces (ResistiveTouch only)
- -20~60° C Operating Temperature
- Panel and VESA Mounting

Applications

- Embedded HMI Display System
- Factory / Manufacturing Automation
- ATM / Self-service / Kiosk Applications
- Vending Machine / Ticketing Machines

→ Packing List

| Description |
|---|
| 1 x TPM-3217 / TPM-3117 |
| 1 x Driver CD (Resistive Touch only) |
| 1 x USB Cable |
| 1 x VGA Cable |
| 1 x Power Adapter (AC-to-DC, 12 V @ 5 A, 60 W) |
| 6 x Panel Mounting Screws |

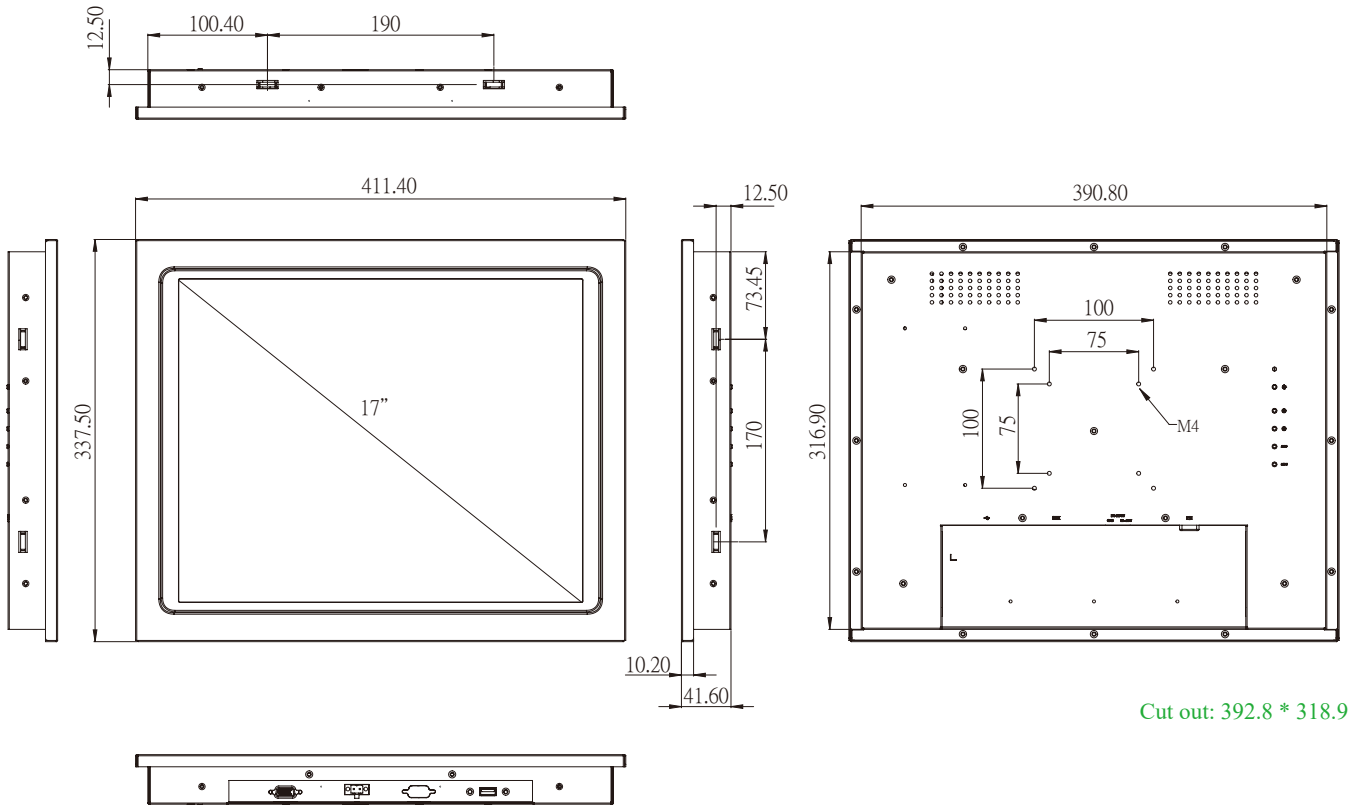
→ Optional Items

| Part No. | Description |
|-------------|---------------------------------------|
| ACS-PS-US | Power Cable 3-pin, 180 cm, USA Type |
| ACS-PS-EU | Power Cable 3-pin, 180 cm, Euro Type |
| ACS-PS-CN | Power Cable 3-pin, 180 cm, China Type |
| ACS-100-STD | VESA Table Stand |

→ Ordering Information

| Part No. | Description |
|---------------|---|
| TPM-3217P-A1E | 17" SXGA Industrial Ultra-slim Projected Capacitive Touch Display |
| TPM-3217R-A1E | 17" SXGA Industrial Ultra-slim Resistive Touch Display |
| TPM-3117R-A1E | 17" SXGA Industrial Ultra-slim Resistive Touch Open Frame |

→ Dimensions



Cut out: 392.8 * 318.9mm

→ Specifications

| Model | | TPM-3217P | TPM-3217R |
|---------------|-----------------------------|---|--------------------|
| Display | Panel Size | 17" LED LCD Panel | |
| | Resolution | 1280 x 1024 (SXGA) | |
| | Viewing Angle | 85 x 85 (H), 80 x 85 (V) | |
| | Brightness | 350 (cd/m ²) | |
| | Color Support | 16.7 M | |
| | Contrast Ratio | 1000:1 | |
| | Response Time | 30 (msec) | |
| Touchscreen | Type | Projected Capacitive | 5-Wire Resistive |
| | Surface Hardness | 7 Mohs | 3 Mohs |
| | Durability | - | 10 million touches |
| | Transparency | 90% (±3%) | 80% (±3%) |
| I/O Interface | Video Interface | 1 VGA | |
| | Touch Interface | Projected Capacitive (for USB only) / 5-Wire Resistive (for USB and RS-232) | |
| OSD Control | Function Key | 5 Keys: Menu, Up, Down, Auto Adjust, Monitor Power on/off Menu Functions: Brightness, Contrast, Color Adjust, Color Temp, Auto Color, Language | |
| Power | Power Connector | Phoenix Terminal Block, 2 pins | |
| | Power Input | 12-24 V DC power input, single power source | |
| | Power Consumption (Typical) | 22 W | |
| Environment | Operating Temperature | -20~60° C (-4~140° F) | |
| | Storage Temperature | -30~70° C (-22~158° F) | |
| | Humidity | 5~95% @ 40° C, Non-condensing | |
| | Vibration | 5-500 Hz, 0.026 G ² /Hz, 2.16 Grms, X, Y, Z, 1 hour per axis | |
| General | Ingress Protection | IP54 | |
| | Dimensions (W x H x D) | 411.4 x 337.5 x 41.6 mm (16.19" x 13.28" x 1.63") | |
| | Weight | 4.82 kg (10.6 lb) | |
| | Operating System | Windows CE/XP/7/8.1/10, WES7, WE8S, Linux Fedora, Ubuntu | |