

TPM-3210

Arestech

Industrial 10.4" LED Projected Capacitive
Multi-touch Display



Features

- 10.4" LED SVGA LCD Panel up to 800 x 600 Resolution
- 5-wire Resistive / Projected Capacitive Touch Technology
- 12-24 V DC Power Input Pluggable Terminal Block
- RS-232 and USB Touch Interfaces
- -20~60° C Operating Temperature
- Panel and VESA Mounting

Applications

- Embedded HMI Display System
- Factory / Manufacturing Automation
- ATM / Self-service / Kiosk Applications
- Vending / Ticketing Machines

→ Packing List

| Description |
|---|
| 1 x TPM-3210 / TPM-3110 |
| 1 x Driver CD |
| 1 x USB Cable |
| 1 x VGA Cable |
| 1 x Power Adapter (AC-to-DC, 12 V @ 5 A, 60 W) |
| 6 x Panel Mounting Screws |

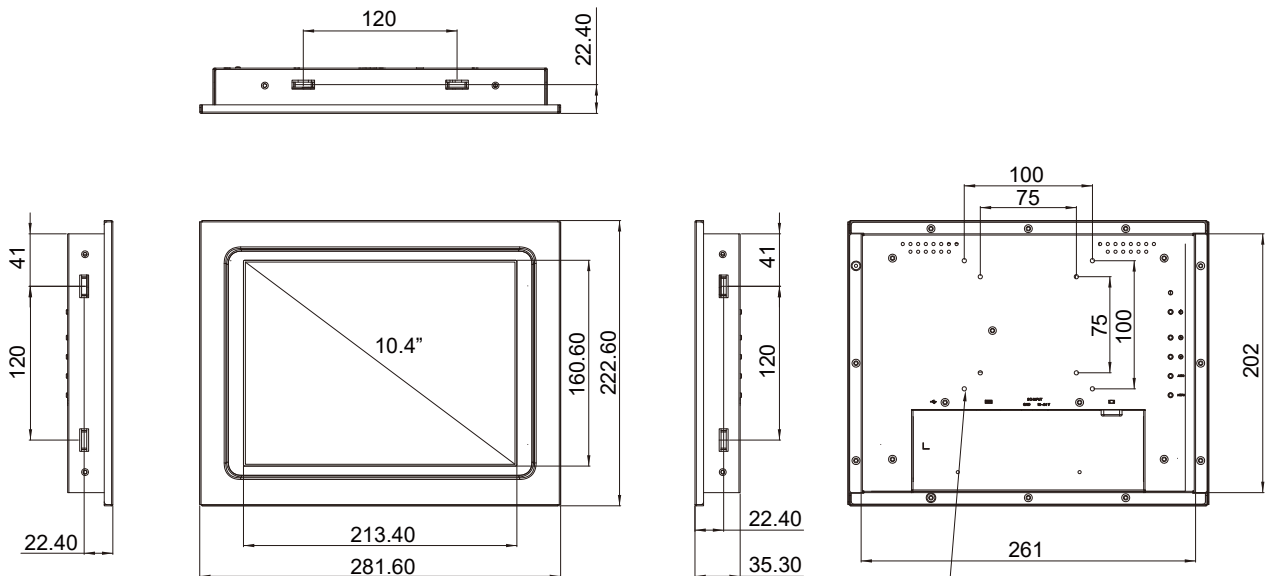
→ Optional Items

| Part No. | Description |
|-------------|---------------------------------------|
| ACS-PS-US | Power Cable 3-pin, 180 cm, USA Type |
| ACS-PS-EU | Power Cable 3-pin, 180 cm, Euro Type |
| ACS-PS-CN | Power Cable 3-pin, 180 cm, China Type |
| ACS-100-STD | VESA Table Stand |

→ Ordering Information

| Part No. | Description |
|---------------|---|
| TPM-3210P-A1E | 10.4" SVGA Industrial Ultra-slim Projected Capacitive Multi-touch Display |
| TPM-3210R-A1E | 10.4" SVGA Industrial Ultra-slim Resistive Touch Display |
| TPM-3110R-A1E | 10.4" SVGA Industrial Ultra-slim Resistive Touch Open Frame |

→ Dimensions



1. Screw Length Limitation: 5mm (Calculated from monitor's back cover)
 2. Screw Spec Limitation: M4 size

Cut out: 263 * 204mm

→ Specifications

| Model | | TPM-3210P | TPM-3210R |
|---------------|-----------------------------|---|--------------------|
| Display | Panel Size | 10.4" LED LCD Panel | |
| | Resolution | 800 x 600 (SVGA) | |
| | Viewing Angle | 80 x 80 (H), 60 x 70 (V) | |
| | Brightness | 230 (cd/m2) | |
| | Color Support | 16.2 M / 262 K | |
| | Contrast Ratio | 500:1 | |
| | Response Time | 35 (msec) | |
| Touchscreen | Type | Projected Capacitive | 5-Wire Resistive |
| | Surface Hardness | 7 Mohs | 3 Mohs |
| | Durability | - | 10 million touches |
| | Transparency | 90% (±3%) | 80% (±3%) |
| I/O Interface | Video Interface | 1 VGA | |
| | Touch Interface | Projected Capacitive (for USB only) / 5-Wire Resistive (for USB and RS-232) | |
| OSD Control | Function Key | 5 Keys: Menu, Up, Down, Auto Adjust, Monitor Power on/off Menu Functions: Brightness, Contrast, Color Adjust, Color Temp, Auto Color, Language | |
| Power | Power Connector | Phoenix Terminal Block, 2 pins | |
| | Power Input | 12~24 V DC input, Single Power Source | |
| | Power Consumption (Typical) | 3.5 W | |
| Environment | Operating Temperature | -20~60° C (-4~140° F) | |
| | Storage Temperature | -30~70° C (-22~158° F) | |
| | Humidity | 5~95% @ 40° C, non-condensing | |
| | Vibration | 5-500 Hz, 0.026 G ² /Hz, 2.16 Grms, X, Y, Z, 1 hour per axis | |
| General | Ingress Protection | IP54 | |
| | Dimensions (W x H x D) | 281.60 x 222.60 x 35.30 mm (11.08" x 8.76" x 1.38") | |
| | Weight | 1.8 kg (3.96 lb) | |
| | Operating System | Windows CE/XP/7/8.1/10, WES7, WE8S, Linux Fedora, Ubuntu | |