

BPC-3023

Fanless Embedded Box PC with Intel® ATOM® Processor E3845 and Multiple I/O



Features

- Intel® ATOM® Processor E3845 (2M Cache, 1.91 GHz)
- Compact Size and Light Weight
- 1 SATA HDD/SSD (2.5"), 1 mSATA
- -20~50° C Operating Temperature

Applications

- Barcode Scanning
- Embedded Control Systems
- Medical
- Digital Signage
- CIM (Computer Integrated Manufacturing)

→ Packing List

Description
1 x BPC-3023
1 x Driver CD
1 x Mounting Bracket
1 x Power Adapter

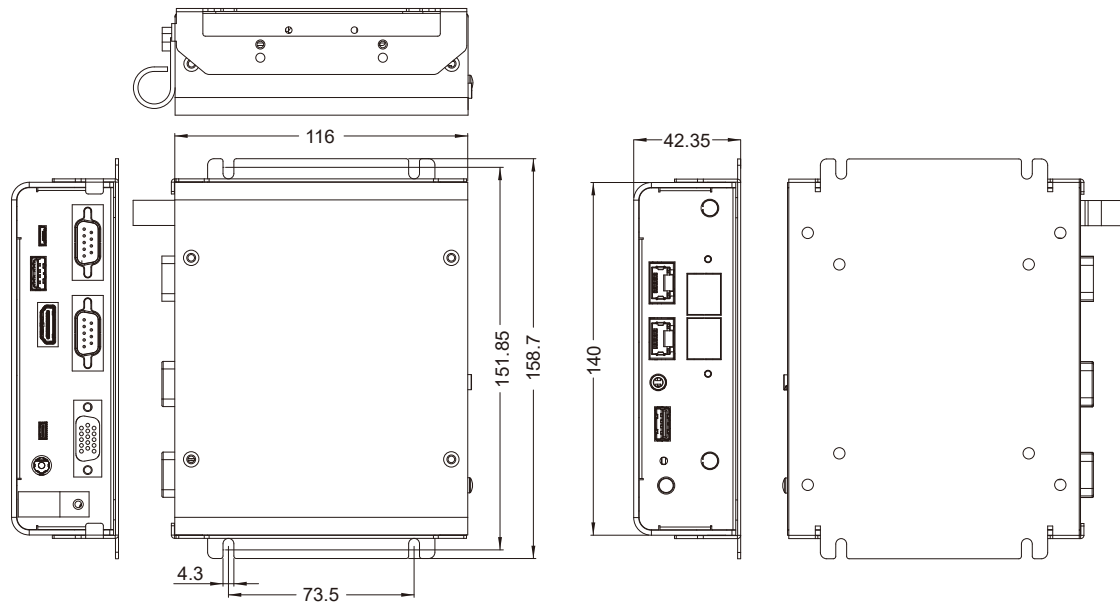
→ Optional Items

Part No.	Description
ACS-PS-US	Power Cable 3-pin, 180 cm, USA Type
ACS-PS-EU	Power Cable 3-pin, 180 cm, Euro Type
ACS-PS-CN	Power Cable 3-pin, 180 cm, China Type
AWD-WF001	wifi 802.11 b/g/n (1T1R) + 1 antenna, Half size
AWD-WF002	wifi 802.11 b/g/n + BT4.0(1T1R) + 1 antenna(dual band), Half size
AWD-3G001	3G(HSPA+) + 1 antenna, miniPCEe Full size with SIM socket
AWD-4G001	4G(LTE) + 2 antenna, miniPCEe Full size with SIM socket

→ Ordering Information

Part No.	Description
BPC-3023-1A1	Intel® Celeron® N2930 1.83 GHz Processor, w/ HDMI, 2 USB, 2 GbE , 2 COM
BPC-3023-2A1	Intel® Celeron® N2930 1.83 GHz Processor, w/ HDMI, 2 USB, 2 GbE , 4 COM
BPC-3023-3A1	Intel® Celeron® N2930 1.83 GHz Processor, w/ HDMI, 2 USB, 4 GbE , 2 COM

→ Dimensions



→ Specifications

Model		BPC-3023-1A1	BPC-3023-2A1	BPC-3023-3A1
Processor System	CPU	Intel® Celeron® Processor N2930		
	Frequency	Quad-core up to 1.83 GHz		
	L2 Cache	2 MB		
	BIOS	UEFI		
Memory	Technology	DDR3L 1066/1333 MHz SDRAM (1.35 V only)		
	Max. Capacity	8 GB		
	Socket	1, 204-pin SO-DIMM		
Display	Graphics Engine	Intel® Gen7 HD Graphics		
	VGA	Up to 1920 x 1200		
	HDMI	2 (1 HDMI, 1 Micro HDMI), supports 1920 x 1200, Max data rate: up to 1.65 Gb/s, HDMI v1.4 up to 1080p		
I/O Interface	Dual Display	VGA, HDMI		
	USB	VGA + HDMI		
I/O Interface	Serial Port	1 COM (RS-232), 1 COM (RS-232/422/485)	1 COM (RS-232), 3 COM (RS-232/422/485)	1 COM (RS-232), 1 COM (RS-232 /422/485)
	Speaker Header	1		
Ethernet	Controller	Dual GbE LAN, 2 x Intel® 210, 10/100/1000 Mbps		4 GbE LAN, 2 x Intel® 210, 10/100/1000 Mbps
Audio	Chipset	Realtek ALC662, High Definition Audio (HD)		
	Connectors (Optional)	Line out / Mic in		
Expansion	Mini PCIe (Optional)	1 half-size slot / Wi-Fi module or 1 full-size slot (USB and mSATA signal) / 3G module	1 half-Size	
Storage	SATA II	2.5" HDD / SSD (Max data transfer rate 3.0 GB/s)		
	mSATA	1 mSATA shared with full-size Mini PCIe		
Power	Power Type	AT / ATX		
	Power Supply Voltage	Single 12 V DC input		
	Power Consumption (Typical)	0.72 A @ 12 V (8.64 W)		
	Power Consumption (Max)	1.38 A @ 12 V (15.8 W)		
	DC Connector Type	DC Jack		
Environment	Operational	-20~50° C (-4~122° F) w/ 2.5" SSD (Humidity: 50° C @ 80% RH Non-condensing)		
	Non-Operational	-40~85° C (-40~185° F) w/ 2.5" SSD (Humidity: 60° C @ 80% RH Non-condensing)		
	Vibration	5 Grms, IEC 60068-2-64, random, 5~500 Hz, 1 Oct/min., 1hr/axis, x, y, z 3 axes (w/ SSD) 1 Grms, IEC 60068-2-64, random, 5~500 Hz, 1 Oct/min., 1hr/axis, x, y, z 3 axes (w/ 2.5" HDD)		
	Shock	50 G, IEC 60068-2-27, half sine, 11 ms duration (w/ SSD only) 20 G, IEC 60068-2-27, half sine, 11 ms duration (w/ 2.5" HDD)		
Certificate	Certification	CE, FCC Class A		
General	Dimensions (W x H x D)	140 x 42.35 x 116 mm (5.51" x 1.67" x 4.57")		
	Weight	0.6 kg (1.32 lb)		
	Operating System	Windows 7/8.1, WES7-E/P, WE8S, Ubuntu 14.04		