

# BPC-5012

Intel® Core™ i5-1235U In-Vehicle Fanless Computer with M12 connectors



## Applications

- Mining Truck / Off-road Haul Truck
- Agricultural and Forestry Vehicle
- Transportation Management
- Railway and Metro System
- Anti-vibration Application

## Features

- Intel® Core™ i5-1235U Processor
- 2 x 260-pin SO-DIMM DDR4 3200 MHz, up to 64GB
- 2 x 2.5GbE LAN (Intel® I226-V) by M12 Connector
- Supports 2 x USB3.2 by M12 Connector
- Supports Lockable HDMI
- Supports 4 x COM Ports
- Optional 16 isolated DI and 16 isolated DO channels

## Ordering Information

| Part No. | Description   |
|----------|---|
| BPC-5012 | Intel® Core™ i5-1235U Processor, 1 x Lockable HDMI, 4 x RS-232/422/485, M12 connector for 2 x 2.5GbE & 2 x USB3.2, DC 9~36V Phoenix Connector |

## Packing List

| Description  |
|--------------|
| 1 x BPC-5012 |

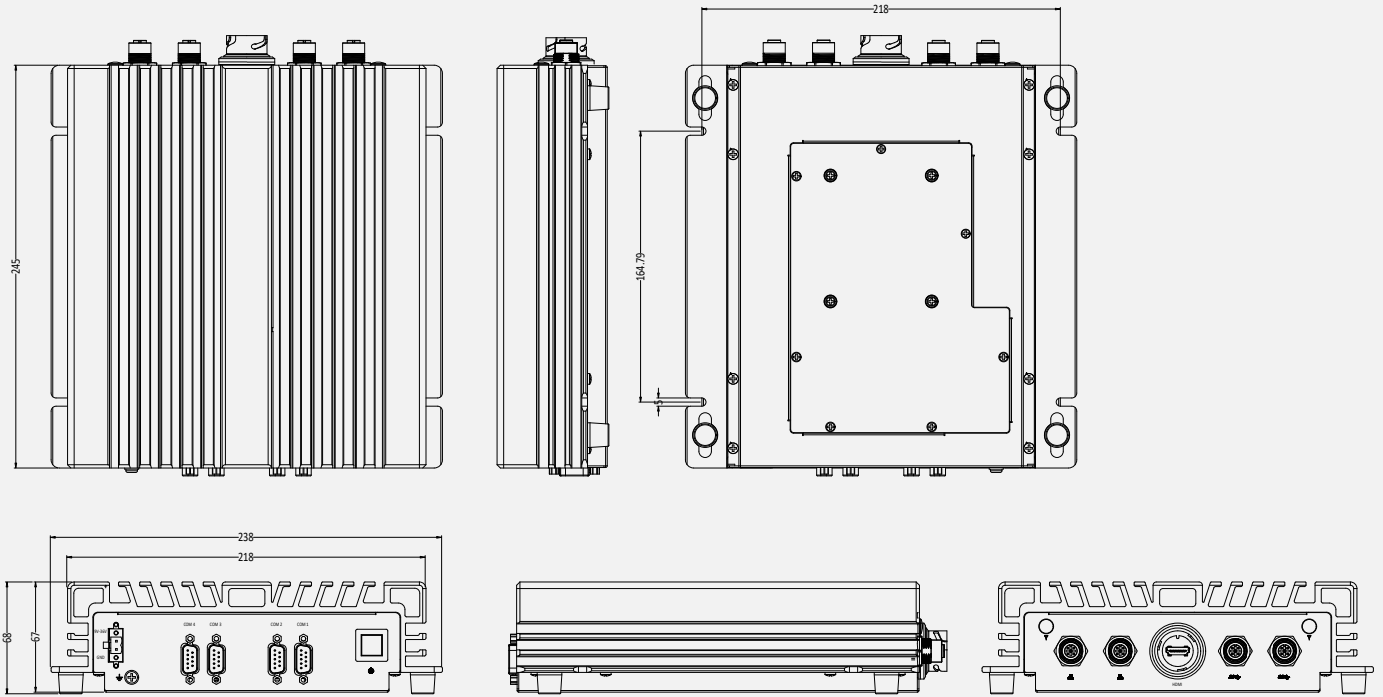
## Optional Items

| Part No.      | Description  |
|---------------|--|
| APW-60M12V-01 | Adapter AC/DC 12V 5A 60W with M12 Connector (US)                         |
| APW-60M12V-02 | Adapter AC/DC 12V 5A 60W with M12 Connector (EU)                         |
| AKT-USB31M12  | M12 Connector to USB3.0 Cable, 1.8m                                      |
| AKT-LAN2M12   | M12 Connector to LAN Cable, 2m   |
| AWD-4G003     | 4G(LTE) EG25-G + 2 Antennas, Full Size (for Global)                      |
| AWD-WF003     | Wi-Fi 802.11 a/b/g/n/ac/BT4.0 (2T2R) + 2 Antennas (Dual Band), Half Size |

## Specifications

| Model            | BPC-5012   |   |
|------------------|--|---|
| Processor System | CPU  | Intel® Core™ i5-1235U Processor   |
|                  | Frequency  | up to 4.40GHz   |
|                  | BIOS   | UEFI  |
|                  | TPM  | Onboard TPM2.0 (Optional)   |
| Memory           | Technology   | Dual Channel DDR4 3200MHz (un-buffered and non-ECC)   |
|                  | Max. Capacity  | Support up to 64GB  |
|                  | Type   | 2 x 260-pin SO-DIMM   |
| Display          | Graphics Engine                                      | Intel® UHD Graphics   |
|                  | Multiple Display                                     | 1   |
|                  | HDMI   | 1 x Lockable HDMI 2.0, Max resolution up to 4096 x 2160   |
| I/O Interface    | USB  | 2 x USB3.2 (Gen2) (M12 Connector)   |
|                  | Serial Port  | 1 x RS-232/422/485 (supports 5V/12V/RI)<br>3 x RS-232/422/485   |
|                  | Ethernet   | 2 x 2.5GbE (Intel® I226-V) (M12 Connector)  |
| Storage          | M.2  | 1 x M.2 M-Key 2280 (PCIe Gen4x4 and SATA 6Gb/s)   |
|                  | 2.5" SSD   | 1 x SATA III (6.0Gb/s)  |
| Expansion        | M.2  | 1 x M.2 E-Key 2230 with PCIe Gen3 x1, USB 2.0 and CNVi for Wireless   |
|                  | Mini-PCIe  | 1 x Full-Size Mini-PCIe (PCIe, USB 2.0 and SIM)   |
|                  | SIM Holder   | 1 x SIM socket connected to Mini-PCIe   |
| Power            | Power On Mode  | AT/ATX Supported<br>- AT: Directly PWR on as power input ready<br>- ATX: Press button to PWR on after power input ready |
|                  | Power Supply Voltage                                 | 9-36V DC Input  |
|                  | Power Connector Type                                 | 1 x DC Power Connector, 1 x 2-pin Terminal Block  |
| Mounting         | Type   | Wall Mount  |
| Environment      | Operating Temperature                                | -20 ~ 60°C  |
|                  | Storage Temperature                                  | -40 ~ 80°C  |
|                  | Humidity   | 0% ~ 90% (non-condensing)   |
| General          | Vibration  | IEC 60068-2-64: 5Grms, random, 5~500 Hz, 1hr/axis   |
|                  | Shock  | IEC 60068-2-27: 50G, half-sine, 11ms duration   |
|                  | Certification  | CE/FCC Class A  |
|                  | Thermal Dissipation                                  | Fanless System  |
|                  | Material   | Aluminum & SECC   |
|                  | Dimensions (W x D x H)                               | 238 x 245 x 68mm  |
|                  | Net Weight   | 3.5kg   |
| Operating System | Windows 10 IoT, Windwos 11 (IoT/Professional), Linux |   |

## BPC-5012 Dimension



## Viewing

